

Model			GWH12AUCXB-K6DNA1A	GWH12AUCXB-K6DNA1A
Product Code			CB575000200/CB575000202 CB575000203/CB575000204	CB575000201 CB575000205 CB575000206
Power Supply	Rated Voltage	V~	220-240	220-240
	Rated Frequency	Hz	50	50
	Phases		1	1
Power Supply Mode			Outdoor	Outdoor
Cooling Capacity		W	3510	3510
Heating Capacity		W	3810	3810
Cooling Power Input		W	989	989
Heating Power Input		W	977	977
Cooling Current Input		A	4.4	4.4
Heating Current Input		A	4.4	4.4
Rated Input		W	1650	1650
Rated Cooling Current		A	6.2	6.2
Rated Heating Current		A	7.4	7.4
Air Flow Volume		m ³ /h	680/620/560/490/450/420/390/220	680/620/560/490/450/420/390/220
Dehumidifying Volume		L/h	1.40	1.40
EER		W/W	3.55	3.55
COP		W/W	3.90	3.90
SEER		W/W	7.2	7.2
SCOP(Average/WarmerColder)		W/W	4.1/5.2/3.1	4.1/5.2/3.1
Application Area		m ²	16-24	16-24
Indoor Unit	Model		GWH12AUCXB-K6DNA1A/I	GWH12AUCXB-K6DNA1A/I
	Product Code		CB575N00200/CB575N00202 CB575N00203/CB575N00204	CB575N00200 CB575N00202 CB575N00206
	Fan Type		Cross-flow	Cross-flow
	Fan Diameter Length(DXL)	mm	Φ98×630	Φ98×630
	Cooling Speed	r/min	1300/1200/1100/1000/900/800/750/500	1300/1200/1100/1000/900/800/750/500
	Heating Speed	r/min	1300/1200/1100/1000/900/850/800	1300/1200/1100/1000/900/850/800
	Fan Motor Power Output	W	15	15
	Fan Motor RLA	A	0.20	0.20
	Fan Motor Capacitor	μF	/	/
	Heater Power Input	W	25	25
	Evaporator Form		Aluminum Fin-copper Tube	Aluminum Fin-copper Tube
	Evaporator Pipe Diameter	mm	Φ5	Φ5
	Evaporator Row-fin Gap	mm	2-1.4	2-1.4
	Evaporator Coil Length (LXDXW)	mm	634×22.8×304.8	634×22.8×304.8
	Swing Motor Model		MP24BA/MP24AK/MP24HF	MP24BA/MP24AK/MP24HF
	Swing Motor Power Output	W	1.5/1.5/1.5	1.5/1.5/1.5
	Fuse Current	A	3.15	3.15
	Sound Pressure Level	dB (A)	Cooling:41/38/36/33/30/27/25/19 Heating:41/38/36/33/29/27/26	Cooling:41/38/36/33/30/27/25/19 Heating:41/38/36/33/29/27/26
	Sound Power Level	dB (A)	Cooling:60/52/50/47/44/41/39/33 Heating:55/52/50/47/43/41/40	Cooling:60/52/50/47/44/41/39/33 Heating:55/52/50/47/43/41/40
	Dimension (WXHXD)	mm	837×293×200	837×293×200
	Dimension of Carton Box (LXWXH)	mm	891×357×261	891×357×261
Dimension of Package (LXWXH)	mm	896×373×272	896×373×272	
Net Weight	kg	9.5	9.5	
Gross Weight	kg	11.5	11.5	

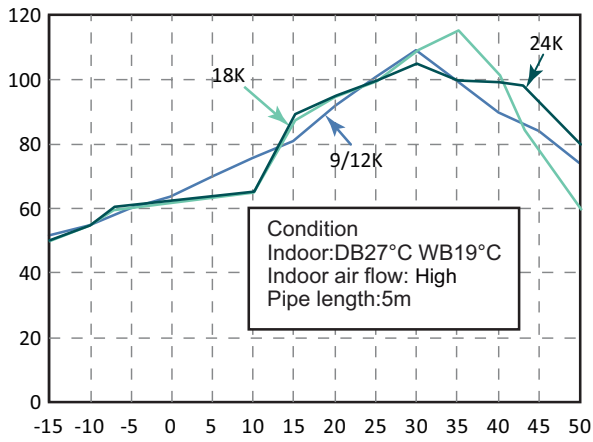
Outdoor Unit	Outdoor Unit Model		GWH12AUCXB-K6DNA1A/O(LCLH)	GWH12AUCXB-K6DNA1A/O(LC)
	Outdoor Unit Product Code		CB575W00200	CB575W00201
	Compressor Manufacturer		ZHUHAI LANDA COMPRESSOR CO., LTD	ZHUHAI LANDA COMPRESSOR CO., LTD
	Compressor Model		FTz-AN108ACBD	FTz-AN108ACBD
	Compressor Oil		FW68DA or equivalent	FW68DA or equivalent
	Compressor Type		Rotary	Rotary
	Compressor LRA.	A	/	/
	Compressor RLA	A	4.40	4.40
	Compressor Power Input	W	/	/
	Compressor Overload Protector		/	/
	Throttling Method		Electron expansion valve	Electron expansion valve
	Set Temperature Range	°C	16~30	16~30
	Cooling Operation Ambient Temperature Range	°C	-15~50	-15~50
	Heating Operation Ambient Temperature Range	°C	-25~30	-15~30
	Condenser Form		Aluminum Fin-copper Tube	Aluminum Fin-copper Tube
	Condenser Pipe Diameter	mm	Φ7.94	Φ7.94
	Condenser Rows-fin Gap	mm	1-1.2	1-1.2
	Condenser Coil Length (LXDXW)	mm	666×19.05×527	666×19.05×527
	Fan Motor Speed	rpm	900	900
	Fan Motor Power Output	W	30	30
	Fan Motor RLA	A	0.40	0.40
	Fan Motor Capacitor	μF	/	/
	Outdoor Unit Air Flow Volume	m ³ /h	1950	1950
	Fan Type		Axial-flow	Axial-flow
	Fan Diameter	mm	400	400
	Defrosting Method		Automatic Defrosting	Automatic Defrosting
	Climate Type		T1	T1
	Isolation		I	I
	Moisture Protection		IPX4	IPX4
	Permissible Excessive Operating Pressure for the Discharge Side	MPa	4.3	4.3
	Permissible Excessive Operating Pressure for the Suction Side	MPa	2.5	2.5
	Sound Pressure Level	dB (A)	52	52
	Sound Power Level	dB (A)	63	63
	Dimension(WXHXD)	mm	732×555×330	732×555×330
Dimension of Carton Box (LXWXH)	mm	791×373×590	791×373×590	
Dimension of Package(LXWXH)	mm	794×376×615	794×376×615	
Net Weight	kg	25.5	25.5	
Gross Weight	kg	28	28	
Refrigerant		R32	R32	
Refrigerant Charge	kg	0.57	0.57	
Connection Pipe	Connection Pipe Length	m	5	5
	Connection Pipe Gas Additional Charge	g/m	16	16
	Outer Diameter Liquid Pipe		1/4"	1/4"
	Outer Diameter Gas Pipe		3/8"	3/8"
	Max Distance Height	m	10	10
	Max Distance Length	m	15	15
Note: The connection pipe applies metric diameter.				

The above data is subject to change without notice. Please refer to the nameplate of the unit.

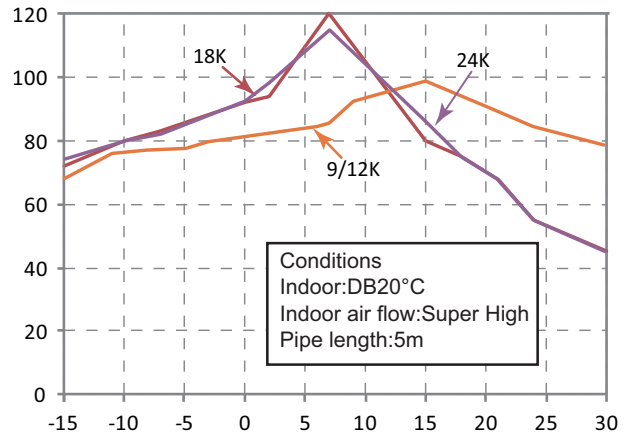
2.2 Capacity Variation Ratio According to Temperature

Heating operation ambient temperature range is $-15^{\circ}\text{C}\sim 30^{\circ}\text{C}$

Cooling

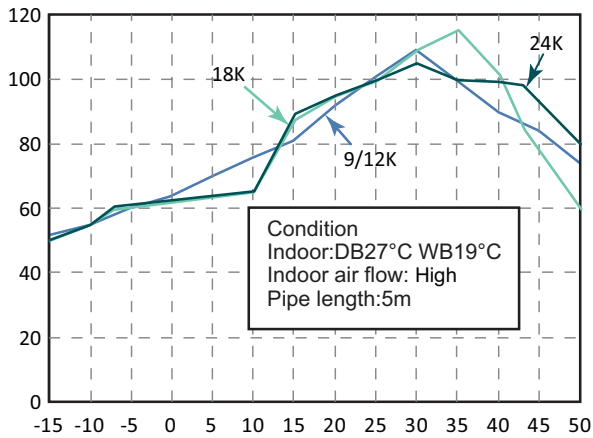


Heating

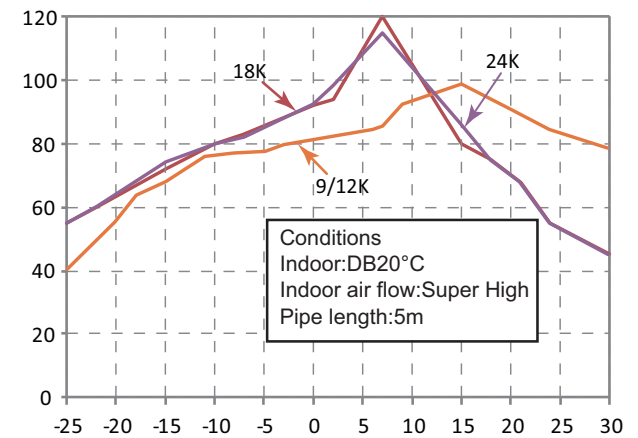


Heating operation ambient temperature range is $-25^{\circ}\text{C}\sim 30^{\circ}\text{C}$

Cooling

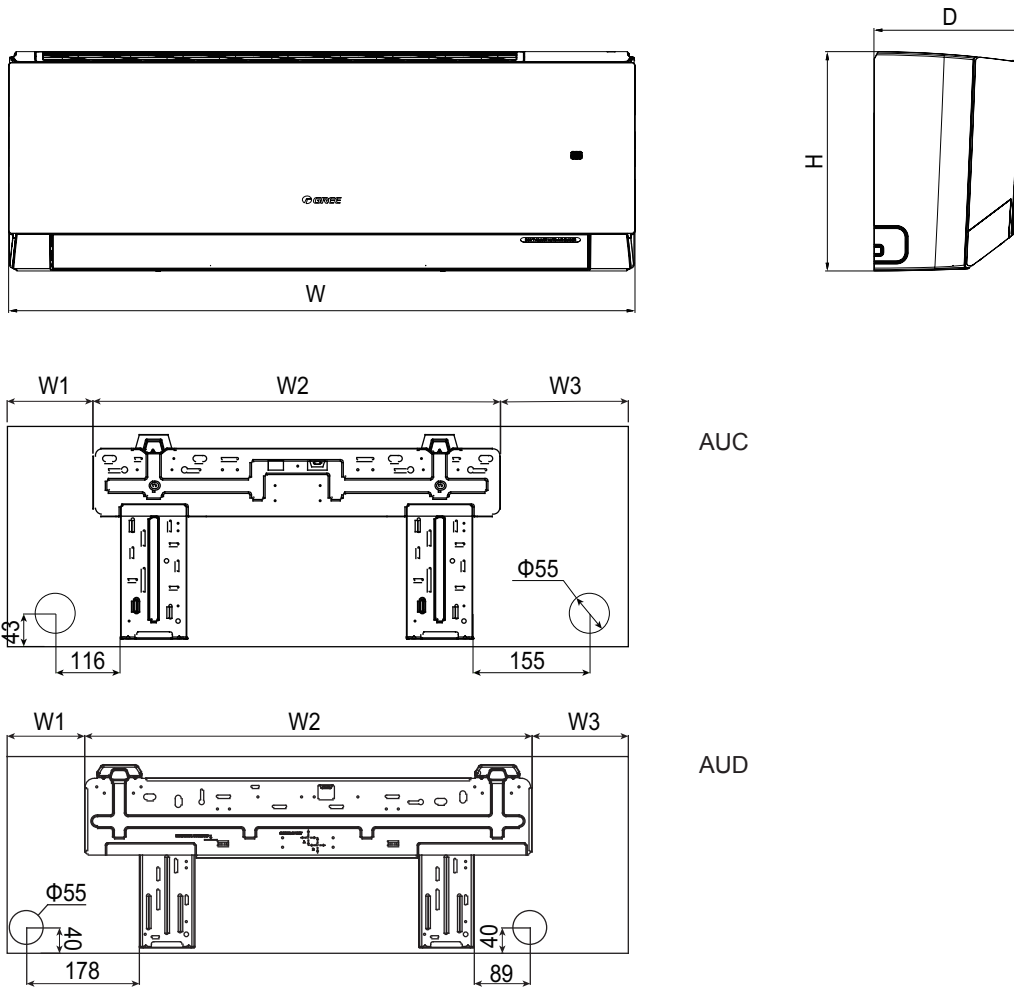


Heating



3. Outline Dimension Diagram

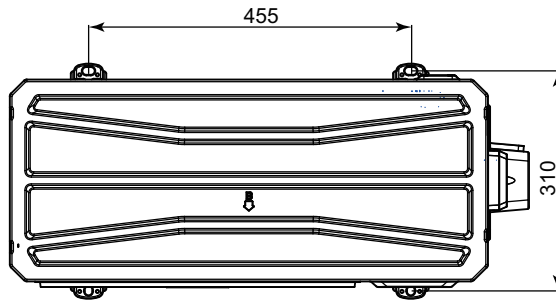
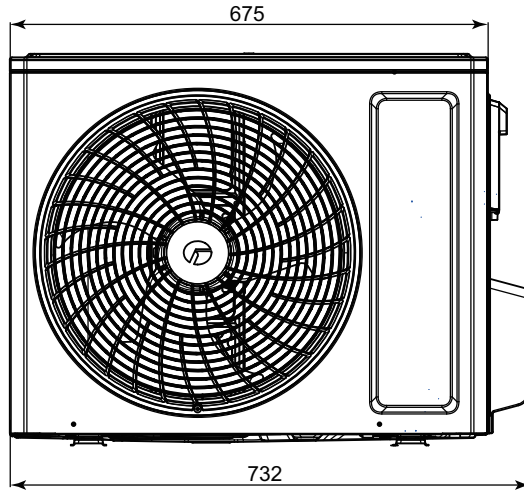
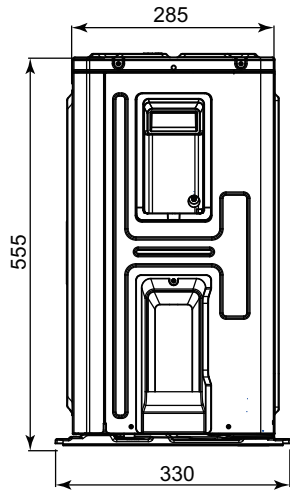
3.1 Indoor Unit



Model (-The first three characters)	W	H	D	W1	W2	W3
AUC	837	293	200	119	542	176
AUD	993	311	222	128	707.5	157.5

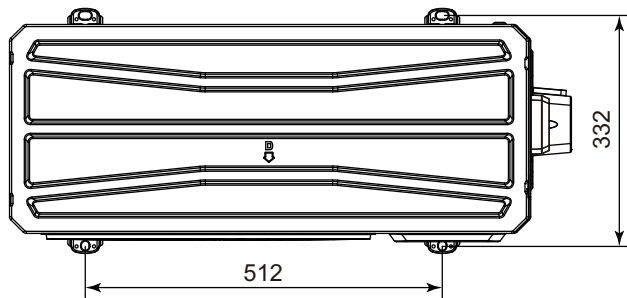
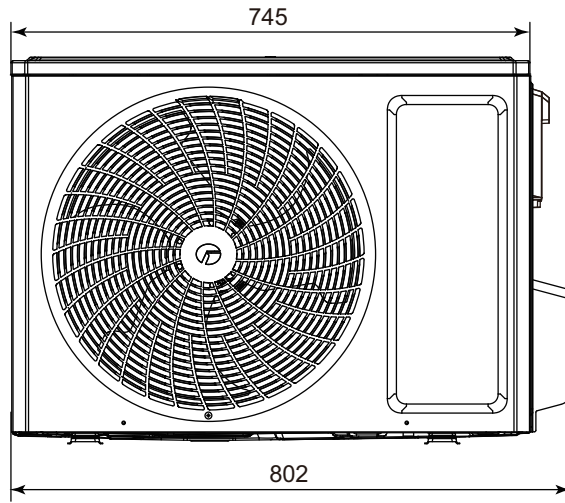
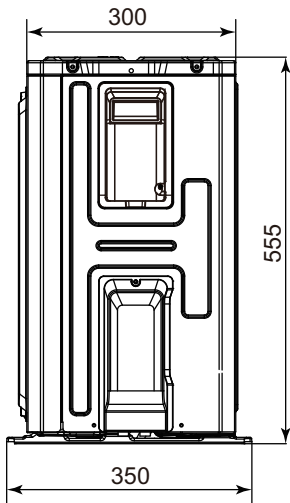
3.2 Outdoor Unit

GWH09AUCXB-K6DNA1A/O GWH12AUCXB-K6DNA1A/O



Unit:mm

GWH18AUDXD-K6DNA1A/O



Unit:mm